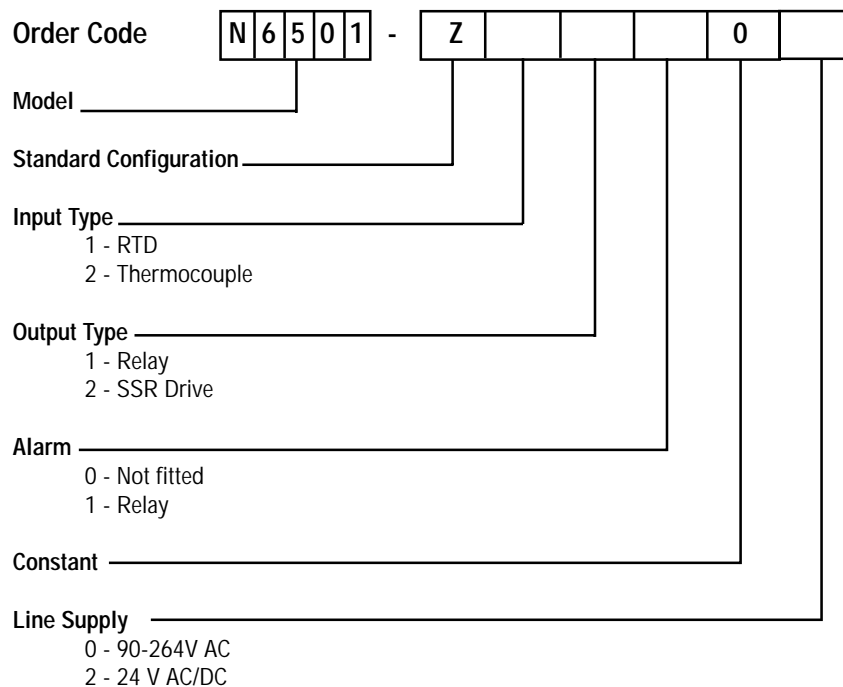


# 6500 Order Matrix:



**NOTES:**

1. The RTD 0.0 range will always be 0.0 - 99.9, whatever the Range Maximum setting may be.
2. Absolute range maximum = 400°C (700°F).
3. Input Sensor Type is defaulted to Thermocouple, Type J/L, °F, and the Input Range Maximum is defaulted to 100.